



DEPARTMENT OF THE NAVY
JOINT EXPEDITIONARY BASE LITTLE CREEK-FORT STORY
2600 TARAWA COURT, SUITE 100
VIRGINIA BEACH, VA 23459-3297

5090
Ser N4/495
16 Sep 22

From: Commander, Joint Expeditionary Base Little Creek-Fort Story
To: Parents, Caregivers, and Staff

Subj: JOINT EXPEDITIONARY BASE LITTLE CREEK-FORT STORY CHILD
DEVELOPMENT CENTER, BUILDING 531, DRINKING WATER RESULTS

Encl: (1) Test Results Overview
(2) Sample Summary of Results
(3) Floor Plan of JEB Fort Story Child Development Center, Building 531

Dear Parents, Caregivers, and Staff:

1. The safety and health of children and staff at our Child Development Centers (CDCs), Child Development Group Homes, Schools, and Youth Centers is my top priority. In my earlier letter announcing our lead in drinking water testing program, I told you we are testing all water outlets that could potentially be used for cooking, washing, or drinking at the Joint Expeditionary Base (JEB) Fort Story CDC, Building 531. Testing was conducted on 29 July 2022 and flush re-sampling on 19 August 2022.
2. We received the results of testing fifty drinking water outlets. Of these, two outlets initially tested higher than the Navy screening level of 15 parts per billion for lead, which is the level requiring action to include additional testing and corrective measures, as needed. These two outlets are for handwashing only and not for consumption. After flushing, these outlets tested below the screening level.
3. Lead in drinking water typically comes from the existing plumbing inside buildings including service lines, fittings, solder, water coolers, or water faucets. Lead is more likely to be found in drinking water when the water has not been run for an extended period of time and has been sitting in the system (e.g., overnight, weekends, etc.).
4. The elevated lead levels were higher than the screening level at low handwashing sinks in Pre-Toddler Room 2 and Infant Room 2 (outlets 34 and 44). After receiving the initial test results, we immediately took these water outlets out of service, flushed them, and resampled. Test Results Overview and Sample Summary of Results are included as Enclosures (1) and (2). A building floor plan indicating locations of samples taken is provided as Enclosure (3). You can also see a hard copy of our water testing results at the JEB Fort Story CDC, Building 531, which is open Monday through Friday (0500 to 1800).

Subj: JOINT EXPEDITIONARY BASE LITTLE CREEK-FORT STORY CHILD DEVELOPMENT CENTER, BUILDING 531, DRINKING WATER RESULTS

5. For your information, below are links to additional drinking water quality resources:

a. To learn more about lead in drinking water visit the following Environmental Protection Agency (EPA) website: <https://www.epa.gov/ground-water-and-drinking-water/basic-information-about-lead-drinking-water>

b. Annual water quality report for the installation: <https://cnrma.cnmc.navy.mil/Operations-and-Management/Environmental-Support/Drinking-Water-Quality-Information/>

c. To learn more about the installation's public water supplier, see their annual water quality report: <https://www.norfolk.gov/657/Water-Quality-Reports>.

6. To answer any questions you may have on the sampling program, contact the Joint Expeditionary Base Little Creek-Fort Story Public Affairs Officer at (757) 462-8425.

7. If you have any health questions or concerns, I encourage you to contact your health care provider or if you are a TRICARE beneficiary, use the Hampton Roads Appointment Center to schedule an appointment with your primary care provider at 1 (866) 645-4584.

8. Please be assured that my team and I will continue to monitor and test water quality, as well as take actions where necessary at the CDC to ensure our drinking water complies with Navy policy and EPA regulations. I am committed to the safety and health of all personnel and family members using our facilities.

Sincerely,



M. L. WITHERSPOON
Captain, United States Navy
Commander

Copy to:

Commander, Navy Installations Command (N45)
Naval Facilities (N45)
Branch Health Clinic Boone
Naval Medical Center Portsmouth
Navy and Marine Corps Public Health Center (NMCPHC)

Test Results Overview

Overview of Testing Results for Lead in Drinking Water and Corrective Actions for JEB Fort Story CDC, Building 531

The Navy is committed to maintaining safe drinking water on its installations. The City of Norfolk supplies water to the Navy and the Navy's water distribution system is regularly tested and in compliance with the Safe Drinking Water Act. Because lead exposure is a particular concern for children, and lead may be added to drinking water due to its presence in pipes, fittings, solder, and fixtures inside a building, the Navy policy requires that we test the lead content of drinking water in priority areas such as youth centers, child development group homes, and child development centers (CDCs) every five years.

Navy environmental personnel conducted lead testing at the Joint Expeditionary Base (JEB) Fort Story CDC Building 531 in accordance with Navy and EPA guidelines. Samples from outlets in the CDC were sent to James R. Reed & Associates, a state-certified laboratory, for analysis.

At the JEB Fort Story CDC, outlets used for drinking, cooking, and washing were tested. Out of fifty (50) samples collected, two (2) water outlets tested above the Navy screening level of 15 parts per billion (ppb) for lead in drinking water in schools and CDCs.

The 2 outlets that exceeded 15 ppb are low handwashing sinks. The two sinks are located in Pre-Toddler Room 2 and Infant Room 2. Follow-up flush sampling at the outlets was conducted. The outlets were flushed prior to securing and remained secure for at least 8 hours before sampling.

A copy of all test results is enclosed for your information. The test results are presented in two tables in Enclosure (2).

- Table 1 **Sample Summary of Results** summarizes the data by category of use (e.g., drinking, cooking, and washing).
- Table 2 **Summary Statistics** summarizes all the data.

Table 1 provides a description of each sampling location using four columns; *Category*, *Outlet ID No.*, *Sampling ID*, and *Outlet Description*. The *Category* column gives information about whether the outlet is used for drinking water (water fountain), cooking (food preparation), or washing (primarily hand-washing). The *Outlet ID No.* is the inventory number for the outlets at the CDC. The *Sample ID* column is the identification used to label each sample bottle. The *Outlet Description* column contains additional information to describe the outlet sampled under each category.

The next set of columns in **Table 1** provide *Initial Sampling Results*, and for those locations that exceeded the recommended screening level of 15 ppb the *Re-sampling Results*.

EPA sampling protocol requires water to not be used for between 8 and 18 hours prior to first draw sampling. Therefore, *Initial Sampling Results were from* first draw samples collected early in the morning before the CDC opened and before any water was used. The *Initial Sampling*

Results also indicate whether resampling is required and the date that fixtures greater than 15 ppb were secured. Outlets that exceeded 15 ppb are highlighted in yellow.

The *Re-sampling Results* includes columns for *First Draw* and *Flushing* samples which help determine the source of lead. For cooking and washing outlets, aerators were removed (if used) and cleaned before retesting:

The *Corrective Actions* column describes actions that were taken to remediate the source of lead, if necessary.

A floor plan of the JEB Fort Story CDC Building 531 has also been included, as Enclosure (3), to show the locations of the outlets tested.

Table 1. Sample Summary of Results
 Priority Areas Lead Testing and Corrective Actions
 Fort Story Child Development Center, Building 531

Table 1. Summary of Results

SAMPLING LOCATION DESCRIPTION				INITIAL SAMPLING RESULTS			RE-SAMPLING RESULTS			CORRECTIVE ACTIONS	POST REMEDIATION SAMPLING RESULTS	
CATEGORY	Outlet ID NO.	SAMPLE ID	Outlet Description	Comments	Lead Screening Level of 15 ppb						Recommended Level = 15 ppb	
					First Draw (ppb)	Retest required?	Date Fixture Secured?	Water Fountain 15 min. Follow up Flush Sample - Collected day before First Draw Sampling (ppb)	First Draw (ppb)	Follow up Flush - Collected 30 seconds after First Draw Sampling (ppb)	Description	First Draw (ppb)
SAMPLING DATE				7/29/2022			mm/dd/yyyy	8/19/2022	8/19/2022		mm/dd/yyyy	
RESULTS DATE				8/5/2022			mm/dd/yyyy	8/23/2022	8/23/2022		mm/dd/yyyy	
DRINKING	15	FS-531-PSRM-WFB-FD	Water fountain bubbler in Pre School Room		5	No	N/A	N/A	N/A	N/A	N/A	N/A
DRINKING	18	FS-531-T2RM-WFB-FD	Water fountain bubbler in Toddler 2 Room		2	No	N/A	N/A	N/A	N/A	N/A	N/A
DRINKING	26	FS-531-T1RM-WFB-FD	Water fountain bubbler in Toddler 1 Room		4	No	N/A	N/A	N/A	N/A	N/A	N/A
DRINKING	35	FS-531-PT2RM-WFB-FD	Water fountain bubbler in Pre-Toddler 2 Room		2	No	N/A	N/A	N/A	N/A	N/A	N/A
DRINKING	40	FS-531-PT1RM-WFB-FD	Water fountain bubbler in Pre-Toddler 2 Room		2	No	N/A	N/A	N/A	N/A	N/A	N/A
DRINKING	45	FS-531-I2RM-WFB-FD	Water fountain bubbler in Infant 2 Room		6	No	N/A	N/A	N/A	N/A	N/A	N/A
DRINKING	51	FS-531-I1RM-WFB-FD	Water fountain bubbler in Infant 1 Room		8	No	N/A	N/A	N/A	N/A	N/A	N/A
DRINKING	55	FS-531-HALL-WFBA-FD	Water fountain bubbler in Hallway		4	No	N/A	N/A	N/A	N/A	N/A	N/A
DRINKING	56	FS-531-HALL-WFBB-FD	Water fountain bubbler in Hallway		4	No	N/A	N/A	N/A	N/A	N/A	N/A
COOKING	3	FS-531-K-KA-FD	Kitchen sink faucet used for food preparation and dishwashing		2	No	N/A	N/A	N/A	N/A	N/A	N/A
COOKING	4	FS-531-K-KB-FD	Kitchen sink faucet used for food preparation and dishwashing		1	No	N/A	N/A	N/A	N/A	N/A	N/A
COOKING	6	FS-531-K-KC-FD	Kitchen sink faucet used for food preparation		non-detect	No	N/A	N/A	N/A	N/A	N/A	N/A
WASHING	1	FS-531-BATHLOB-HHW-FD	High handwashing sink in Lobby bathroom		non-detect	No	N/A	N/A	N/A	N/A	N/A	N/A
WASHING	2	FS-531-BATHFO-HHW-FD	High handwashing sink in Front Office bathroom		non-detect	No	N/A	N/A	N/A	N/A	N/A	N/A
WASHING	7	FS-531-K-HHW-FD	High handwashing sink in Kitchen		non-detect	No	N/A	N/A	N/A	N/A	N/A	N/A
WASHING	9	FS-531-LAU-HHW-FD	High handwashing sink in Laundry Room		2	No	N/A	N/A	N/A	N/A	N/A	N/A
WASHING	10	FS-531-PSRM-HHWA-FD	Combined high handwashing sink with stairs for children in		non-detect	No	N/A	N/A	N/A	N/A	N/A	N/A
WASHING	11	FS-531-PSRM-LHWA-FD	Low handwashing sink in Preschool Room		non-detect	No	N/A	N/A	N/A	N/A	N/A	N/A
WASHING	12	FS-531-PSRM-LHWB-FD	Low handwashing sink in Preschool Room		non-detect	No	N/A	N/A	N/A	N/A	N/A	N/A
WASHING	13	FS-531-PSRM-HHWB-FD	High handwashing sink in Preschool Room	Used for filling water jugs	non-detect	No	N/A	N/A	N/A	N/A	N/A	N/A
WASHING	14	FS-531-PSRM-HHWC-FD	High handwashing sink in Preschool Room	Used for filling water jugs	2	No	N/A	N/A	N/A	N/A	N/A	N/A
WASHING	17	FS-531-T2RM-HHWA-FD	Combined high handwashing sink with stairs for children in Toddler 2 Room		1	No	N/A	N/A	N/A	N/A	N/A	N/A
WASHING	19	FS-531-T2RM-LHWA-FD	Low handwashing sink in Toddler 2 Room		non-detect	No	N/A	N/A	N/A	N/A	N/A	N/A
WASHING	20	FS-531-T2RM-LHWB-FD	Low handwashing sink in Toddler 2 Room		non-detect	No	N/A	N/A	N/A	N/A	N/A	N/A
WASHING	21	FS-531-T2RM-HHWB-FD	High handwashing sink in Toddler 2 Room	Used for filling water jugs	3	No	N/A	N/A	N/A	N/A	N/A	N/A
WASHING	22	FS-531-T2RM-HHWC-FD	High handwashing sink in Toddler 2 Room	Used for filling water jugs	4	No	N/A	N/A	N/A	N/A	N/A	N/A
WASHING	23	FS-531-BATHA-HHW-FD	High handwashing sink in Bathroom A		non-detect	No	N/A	N/A	N/A	N/A	N/A	N/A
WASHING	24	FS-531-BATHB-HHW-FD	High handwashing sink in Bathroom B		non-detect	No	N/A	N/A	N/A	N/A	N/A	N/A
WASHING	25	FS-531-T1RM-HHWA-FD	Combined high handwashing sink with stairs for children in Toddler 1 Room		non-detect	No	N/A	N/A	N/A	N/A	N/A	N/A
WASHING	27	FS-531-T1RM-LHWA-FD	Low handwashing sink in Toddler 1 Room		non-detect	No	N/A	N/A	N/A	N/A	N/A	N/A

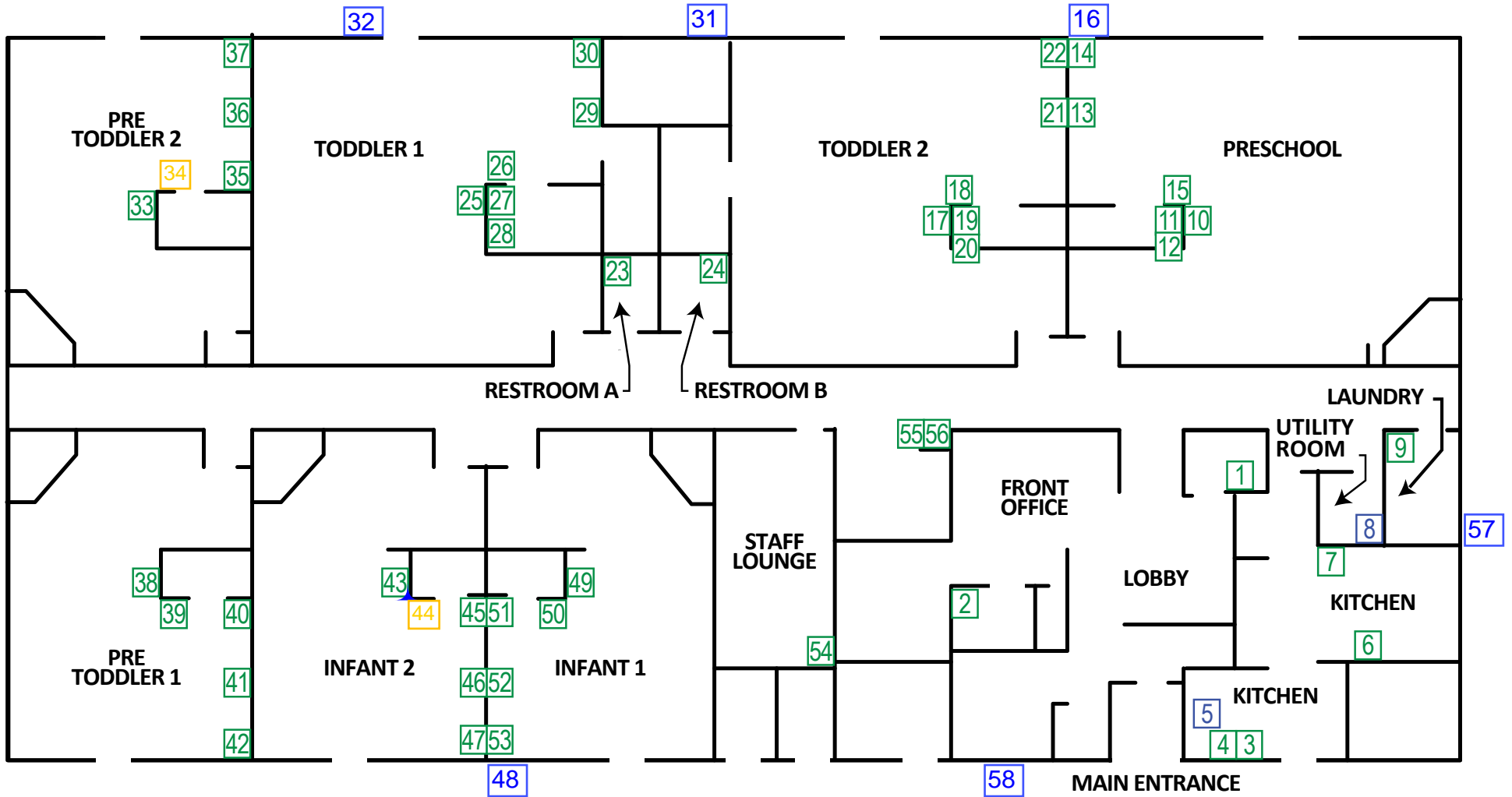
**Table 1. Sample Summary of Results
Priority Areas Lead Testing and Corrective Actions
Fort Story Child Development Center, Building 531**

SAMPLING LOCATION DESCRIPTION					INITIAL SAMPLING RESULTS			RE-SAMPLING RESULTS			CORRECTIVE ACTIONS	POST REMEDIATION SAMPLING RESULTS	
					Lead Screening Level of 15 ppb							Recommended Level = 15 ppb	
CATEGORY	Outlet ID NO.	SAMPLE ID	Outlet Description	Comments	First Draw (ppb)	Retest required?	Date Fixture Secured?	Water Fountain 15 min. Follow up Flush Sample - Collected day before First Draw Sampling (ppb)	First Draw (ppb)	Follow up Flush - Collected 30 seconds after First Draw Sampling (ppb)	Description	First Draw (ppb)	Follow up Flush - Collected 30 seconds after First Draw Sampling (ppb)
SAMPLING DATE					7/29/2022			mm/dd/yyyy	8/19/2022	8/19/2022		mm/dd/yyyy	
RESULTS DATE					8/5/2022			mm/dd/yyyy	8/23/2022	8/23/2022		mm/dd/yyyy	
WASHING	28	FS-531-T1RM-LHWP-FD	Low handwashing sink in Toddler 1 Room		non-detect	No	N/A	N/A	N/A	N/A	N/A	N/A	N/A
WASHING	29	FS-531-T1RM-HHWP-FD	High handwashing sink in Toddler 1 Room	Used for filling water jugs	non-detect	No	N/A	N/A	N/A	N/A	N/A	N/A	N/A
WASHING	30	FS-531-T1RM-HHWC-FD	High handwashing sink in Toddler 1 Room	Used for filling water jugs	3	No	N/A	N/A	N/A	N/A	N/A	N/A	N/A
WASHING	33	FS-531-PT2RM-HHWA-FD	Combined high handwashing sink with stairs for children in Pre-Toddler 2 Room		10	No	N/A	N/A	N/A	N/A	N/A	N/A	N/A
WASHING	34	FS-531-PT2RM-LHWA-FD	Low handwashing sink in Pre-Toddler 2 Room		39	Yes	8/5/2022	N/A	non-detect	non-detect	Outlet flushed prior to securing and allowed to remain stagnant for 8 hours prior to sampling	N/A	N/A
WASHING	36	FS-531-PT2RM-HHWP-FD	High handwashing sink in Pre-Toddler 2 Room	Used for filling water jugs	1	No	N/A	N/A	N/A	N/A	N/A	N/A	N/A
WASHING	37	FS-531-PT2RM-HHWC-FD	High handwashing sink in Pre-Toddler 2 Room	Used for filling water jugs	3	No	N/A	N/A	N/A	N/A	N/A	N/A	N/A
WASHING	38	FS-531-PT1RM-HHWA-FD	Combined high handwashing sink with stairs for children in Pre-Toddler 1 Room		non-detect	No	N/A	N/A	N/A	N/A	N/A	N/A	N/A
WASHING	39	FS-531-PT1RM-LHW-FD	Low handwashing sink in Pre-Toddler 1 Room		non-detect	No	N/A	N/A	N/A	N/A	N/A	N/A	N/A
WASHING	41	FS-531-PT1RM-HHWP-FD	High handwashing sink in Pre-Toddler 1 Room	Used for filling water jugs	non-detect	No	N/A	N/A	N/A	N/A	N/A	N/A	N/A
WASHING	42	FS-531-PT1RM-HHWC-FD	High handwashing sink in Pre-Toddler 1 Room	Used for filling water jugs	non-detect	No	N/A	N/A	N/A	N/A	N/A	N/A	N/A
WASHING	43	FS-531-I2RM-HHWA-FD	High handwashing sink in Infant 2 Room		non-detect	No	N/A	N/A	N/A	N/A	N/A	N/A	N/A
WASHING	44	FS-531-I2RM-LHW-FD	Low handwashing sink in Infant 2 Room		41	Yes	8/5/2022	N/A	1	2	Outlet flushed prior to securing and allowed to remain stagnant for 8 hours prior to sampling	N/A	N/A
WASHING	46	FS-531-I2RM-HHWP-FD	High handwashing sink in Infant 2 Room		8	No	N/A	N/A	N/A	N/A	N/A	N/A	N/A
WASHING	47	FS-531-I2RM-HHWC-FD	High handwashing sink in Infant 2 Room	Under repair, not sampled at 7/29/22 initial sampling. First draw sample collected on 8/19/22 after outlet was replaced.	1	No	N/A	N/A	N/A	N/A	N/A	N/A	N/A
WASHING	49	FS-531-I1RM-HHWA-FD	High handwashing sink in Infant 1 Room		non-detect	No	N/A	N/A	N/A	N/A	N/A	N/A	N/A
WASHING	50	FS-531-I1RM-LHW-FD	Low handwashing sink in Infant 1 Room		4	No	N/A	N/A	N/A	N/A	N/A	N/A	N/A
WASHING	52	FS-531-I1RM-HHWP-FD	High handwashing sink in Infant 1 Room		3	No	N/A	N/A	N/A	N/A	N/A	N/A	N/A
WASHING	53	FS-531-I1RM-HHWC-FD	High handwashing sink in Infant 1 Room		non-detect	No	N/A	N/A	N/A	N/A	N/A	N/A	N/A
WASHING	54	FS-531-LOUNGE-HHW-FD	High handwashing sink in Staff Lounge		non-detect	No	N/A	N/A	N/A	N/A	N/A	N/A	N/A

Table 2. Summary Statistics

CATEGORY	SAMPLING RESULTS	
	Lead Screening Level of 15 ppb	
	First Draw Sample	Follow up Flush Re-sample
Total Drinking	9	0
Total Drinking > 15 ppb	0	0
Total Cooking	3	0
Total Cooking > 15 ppb	0	0
Total Washing	38	2
Total Washing > 15 ppb	2	0
Total Samples	50	2
Total Samples > 15 ppb	2	0

Floor Plan of JEB Fort Story Child Development Center, Building 531



1 BUILDING 531 - FLOOR PLAN

NOT TO SCALE



Outlet numbers pertaining to the floor plan.
 Yellow = Initial Sample Above 15 ppb , Flush Re-Sample Below 15 ppb
 Green = Initial Below 15 ppb
 Blue = Not Sampled: outlet not used for drinking, cooking, or washing